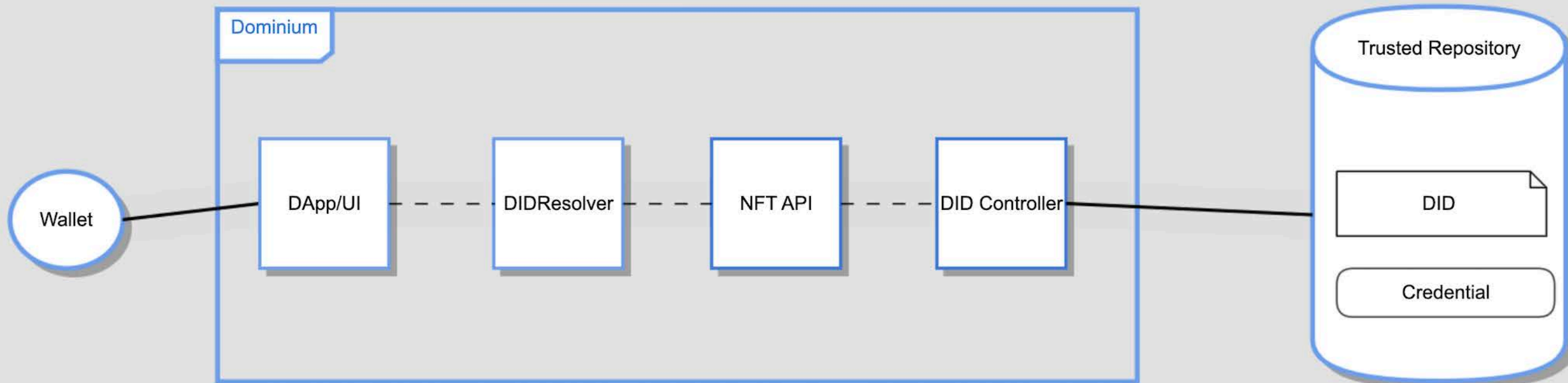
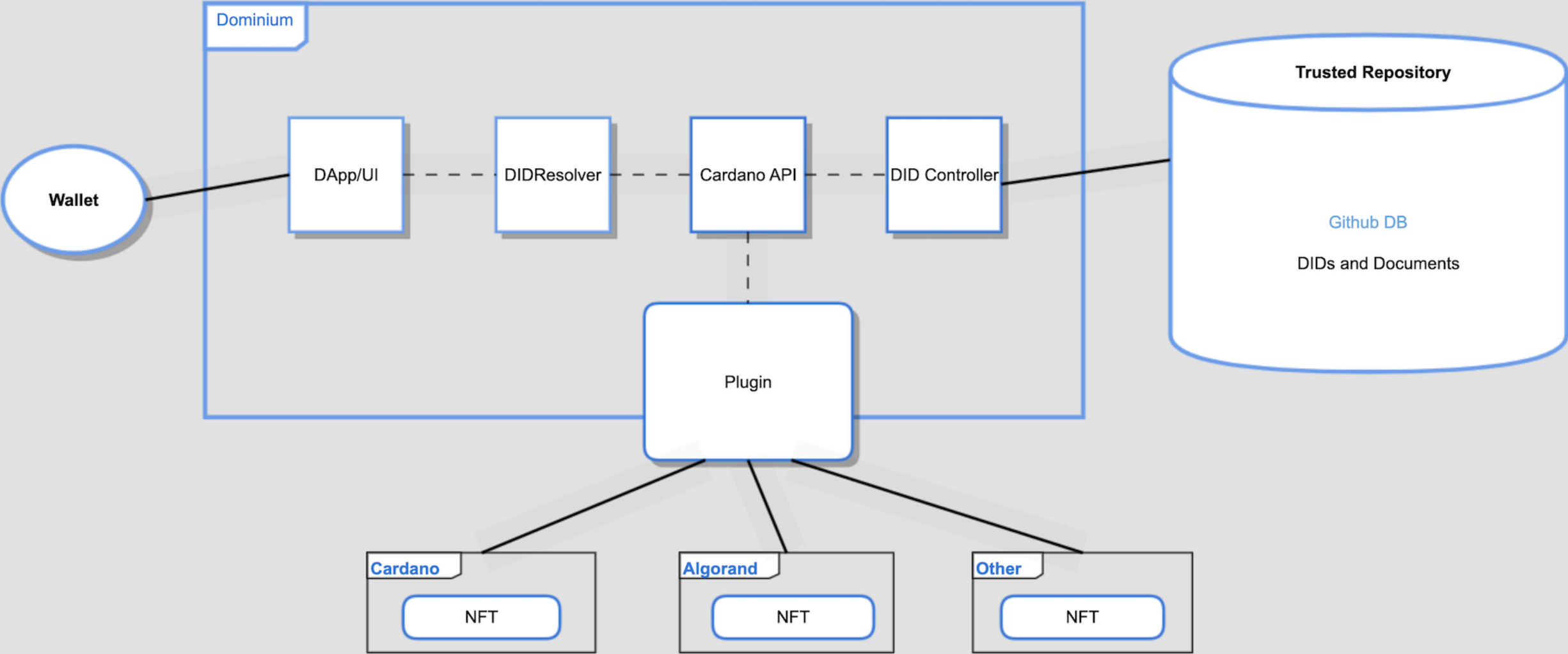


Component Responsibilities

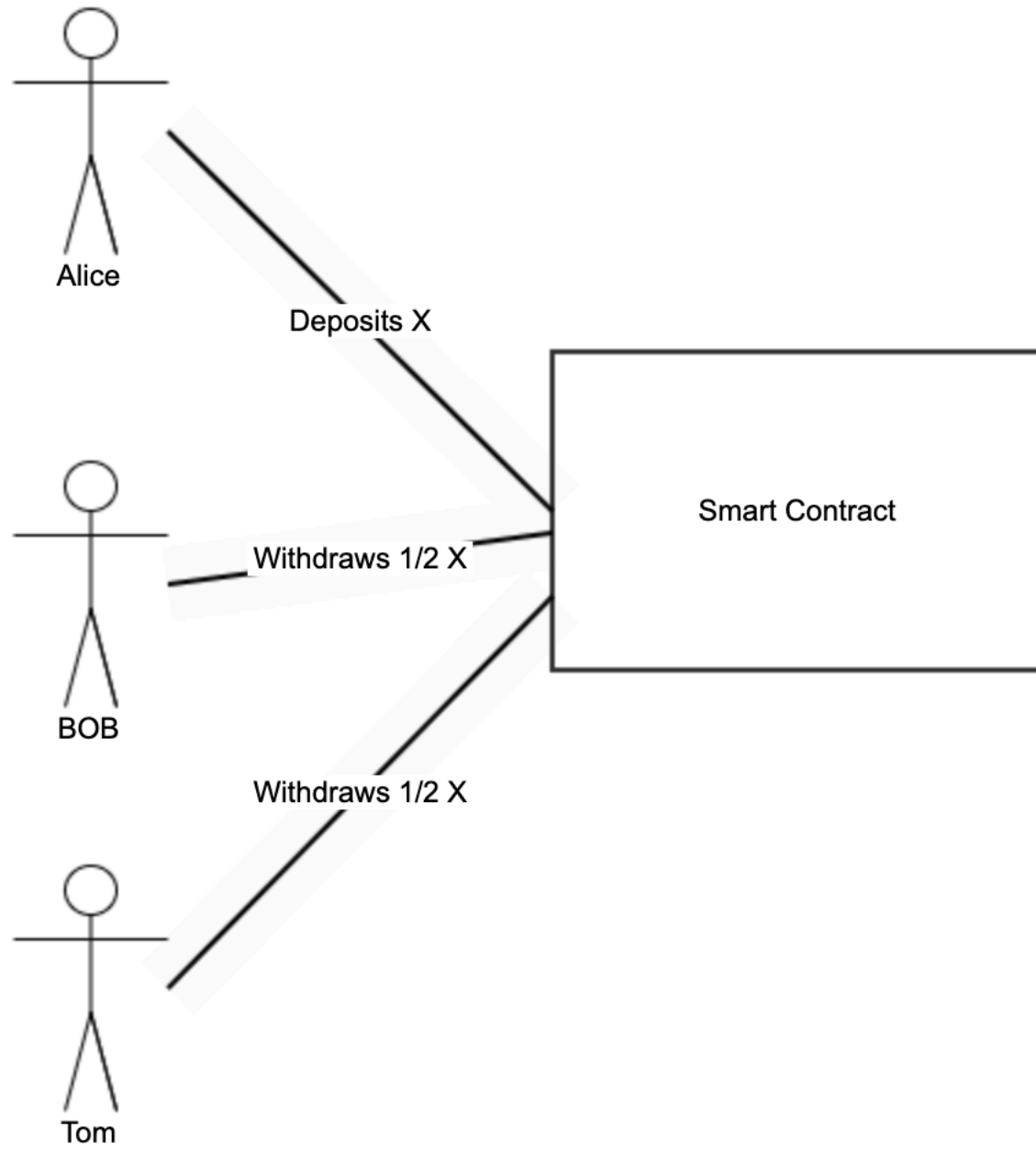


Protocol Specific

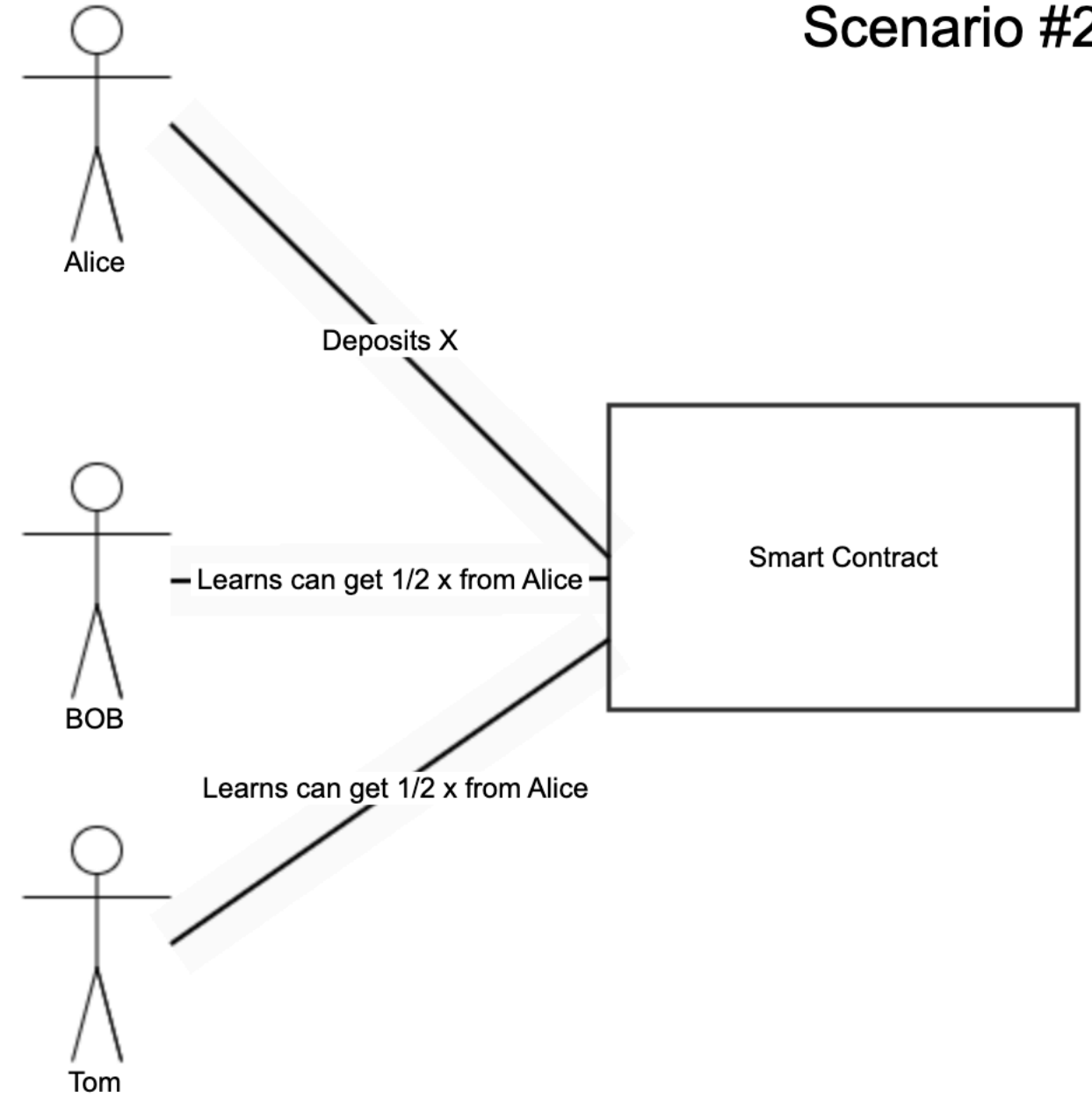


Smart Contracts

Scenario #1

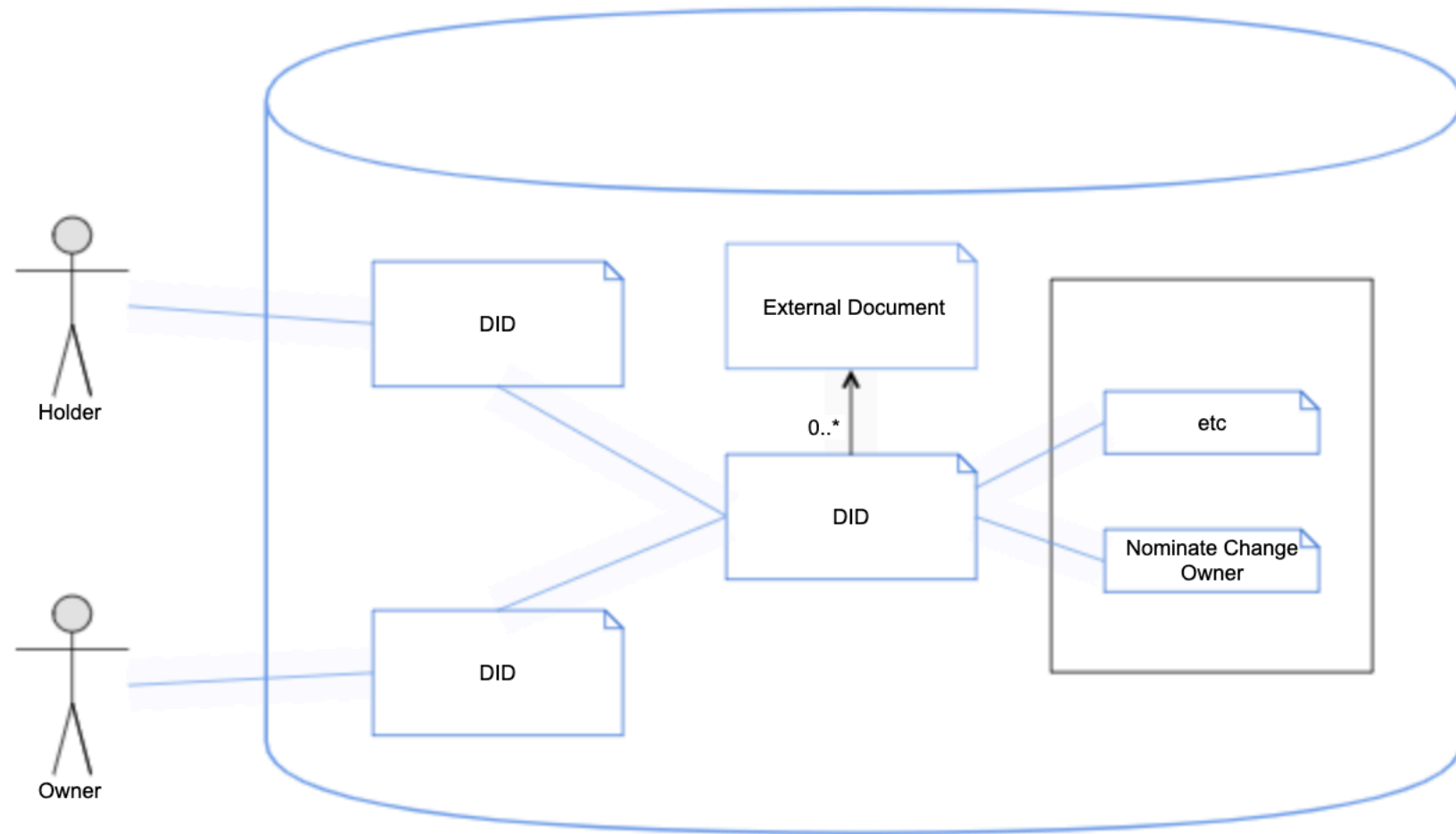


Scenario #2

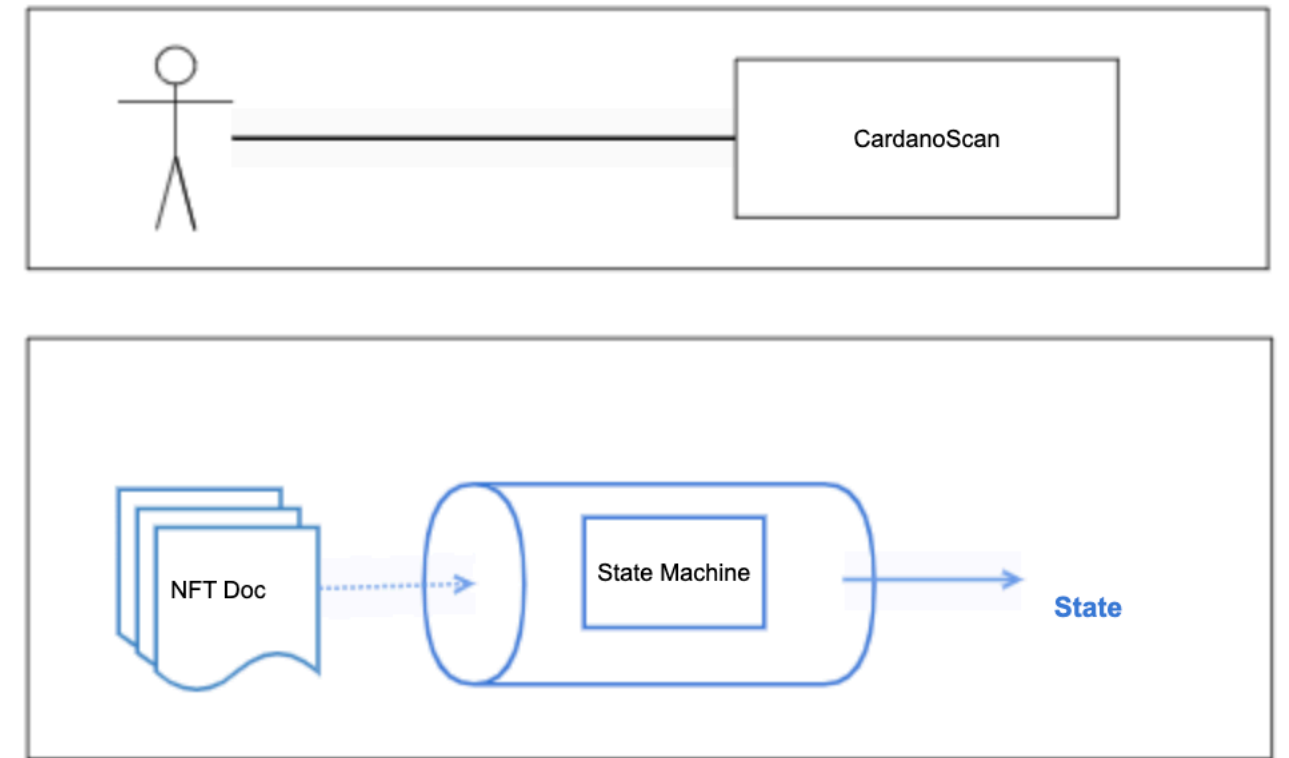


Manage State

Internal Verification



External Verification



Data Model of Did Infrustructure

